

TILE INSTALLED ON CEMENT MORTAR OVER SOLID BACKING ON INTERIOR/EXTERIOR WALLS

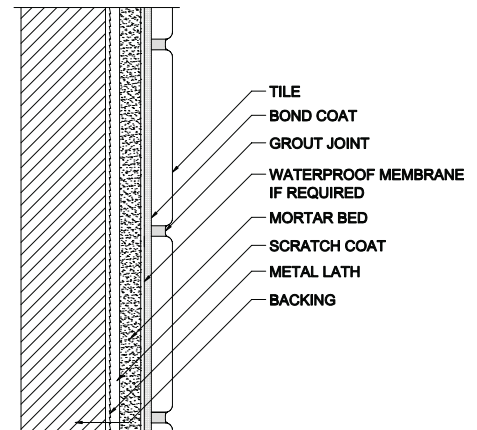
307W-2009/2010

SUITABLE SUBSTRATES

- Concrete or masonry.

MATERIALS

- TILE
- METAL LATH (optional) – 1.4kg/m² (ASTM C847-96)
- SCRATCH COAT (7 mm minimum)
Flextile 57 Scratch Coat (mixed with 43 Mortar Additive for Exterior Use)
- WATERPROOF MEMBRANE (if required)
Flextile WP900 or WP980 Waterproof & Crack Isolation Membrane (ANSI A118.10/A118.12)
- MORTAR BED. (20 mm+)
Flextile Dry Pack Mortar (mixed with 43 Mortar Additive for Exterior Use) and Flextile 57 Slurry Bond Coat
- BOND COAT (on fresh Mortar Bed)
Flextile 51 Bond Coat
- BOND COAT (on minimum 24 hour cured Mortar Bed)
Interior: Flextile 52, 56SR or 66 Polymer Modified Mortars (A118.4/A118.11)
Flextile 51/44 two-component Latex Mortar System (A118.4/A118.11)
Flextile 58XT Fast Set two-component Latex Mortar System (A118.4/A118.11)
Exterior: Flextile 51/44 two-component Latex Mortar System (ANSI A118.4/A118.11)
Flextile 58XT Fast Set two-component Latex Mortar System (ANSI A118.4/A118.11)
- GROUT
Interior: Flextile Polymer Modified Grout (ANSI A118.7)
Flextile Flex-Epoxy 100 Epoxy Grout (ANSI A118.3)
ColourMax Plus Urethane Grout
Exterior: Flextile 600 Polymer Modified Grout (ANSI A118.7)
ColourMax Plus Urethane Grout



APPLICATION

- Attach metal lath, if required, according to manufacturer's recommendations. Apply scratch coat and cure overnight. Apply mortar bed to required thickness. Finished tolerance of mortar bed not to exceed 6 mm in 3049 mm or 2 mm in 305 mm. Apply tile to bond coat, before bond coat skins over. Use sufficient bond coat to ensure minimum 95% contact on exterior surfaces and wet areas and minimum 80% on interior dry surfaces. Slide tile firmly into position. Allow bond coat to cure. Force grout into full depth of joint, remove excess grout and clean.

LIMITATIONS

- Manufacturer's recommendations to be followed. Exterior tile installations not to be attempted with a temperature of less than 12°C. Do not use paper-back mounted tile. Mesh-back mounted tile for exterior use or in locations of extreme moisture should not be used unless the manufacturer guarantees that the material is suitable for this type of installation.

OTHER CONSIDERATIONS

- Latex additive is recommended for modification of scratch coat, mortar bed and Portland cement bond coat. Follow manufacturer's recommendations. Where job conditions require additional thickness, allow 24 hours cure between coats.
- Tile used on exterior applications must be frost resistant.
- Refer to Notes For The Professional and 301MJ- 2009/2010.
- Waterproof membrane if required must be specified. (ANSI A118-10-1999) Follow manufacturer's recommendations.
- Latex Portland cement mortars may require 14 – 60 days cure before exposure to water. Verify with the manufacturer the correct cure time required. Alternatively, to reduce the curing time required, a rapid set mortar may be more suitable.



The above installation detail is used with the permission of the Terrazzo Tile & Marble Association of Canada. The installation products shown are Flextile's product recommendations for this specific detail, and are not intended to replace TTMAC's original generic specification.