

TILE INSTALLED OVER EXISTING TILE

INTERIOR WALLS ONLY

323RW-2009/2010

SUITABLE SUBSTRATES

- Existing tile on frame or masonry construction where existing tile is well bonded.

MATERIALS

- TILE
- GALVANIZED METAL LATH 1.4 kg/m² (ASTM C847-96)
- MORTAR BED
 - Flextile Dry Pack Mortar & Flextile 57 Slurry Bond Coat**
- SCRATCH COAT MORTAR
 - Flextile 57 Scratch Coat Mortar (mixed with 43 Mortar Additive)**
- BOND COAT
 - Flextile 50, 52, 56SR, 58, 61, 62 or 66 Polymer Modified Mortar (ANSI A118.4/A118.11)**
 - Flextile 51 / 44 – two component Latex Mortar System (ANSI A118.4/A118.11)**
 - Flextile 58XT Fast Set two-component Latex Mortar System (ANSI A118.4/A118.11)**
- GROUT
 - Flextile Polymer Modified Grout (ANSI A118.7)**
 - Flextile Flex-Epoxy 100 – 100% Solids Epoxy Grout (ANSI A118.3)**
 - ColourMax Plus Urethane Grout**
- Waterproof membrane if required (ANSI A118.10-1999)
 - Flextile WP980 Waterproof & Crack Isolation Membrane (ANSI A118.10/A118.12)**
- CRACK ISOLATION MEMBRANE/ SOUND CONTROL (as required)
 - Flextile 1000 or 2000SC Flexilastic Crack Isolation & Sound Reduction Membrane (ANSI A118.12) with Flextile 4000 (Interior) or 4001 (Exterior) Primer**

PREPARATION

- Remove soap scum, sealers, dirt or other contaminants from existing tile. Mechanically abrade surfaces of existing glazed tile with a carborundum disc or by other means. Rinse abraded surface to remove dust. Apply levelling material and reinforce joint between levelling materials and existing tile with 51mm fibre mesh tape set in latex-Portland cement mortars.
- For non-glazed or textured surfaces use an appropriate stripper as recommended by manufacturer.

APPLICATION

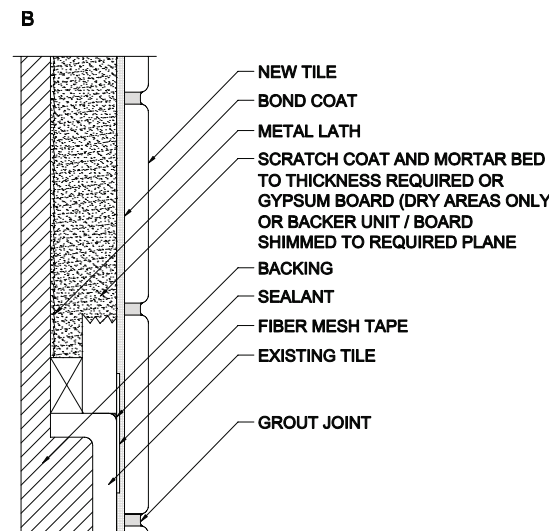
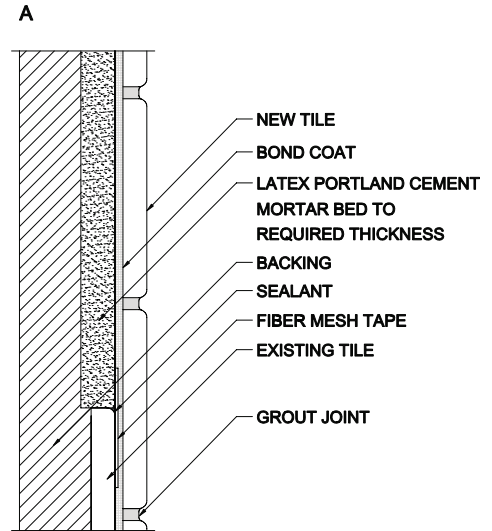
- Apply tile using latex-Portland cement mortar, epoxy or organic adhesive ANSI A136.1-1999 Type 1 only. Organic adhesives can be used for absorbent bisquet tile. Organic adhesives require complete evaporation of water in the adhesive in order to obtain cure and are not recommended for commercial use. Refer to 304W-2009/2010 for installations with organic adhesive and Detail 305W-2009/2010 for installations using latex-Portland cement mortars or dry-set mortars. Use sufficient bond coat to ensure minimum of 95% contact on wet areas.

LIMITATIONS

- Acid washing will not remove wax, sealers and oils.
- For commercial use a cementitious bonding material may be more suitable than organic adhesives to obtain a higher impact resistance and to improve bond strength.

OTHER CONSIDERATIONS

- Install new tile so that grout joint is over transition point between levelling material and existing ceramic tile where possible.
- Refer to Notes For The Professional.
- For larger tile non sag mortars may be considered. Follow manufacturers recommendations.
- Waterproof membrane if required must be specified. (ANSI A118.10-1999)



The above installation detail is used with the permission of the Terrazzo Tile & Marble Association of Canada. The installation products shown are Flextile's product recommendations for this specific detail, and are not intended to replace TTMAC's original generic specification.