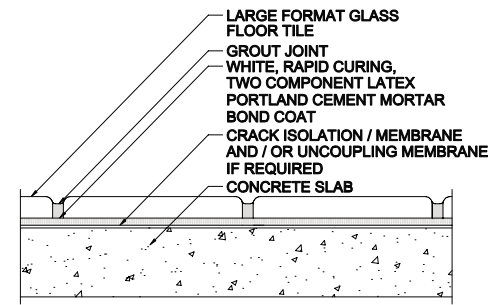


# LARGE FORMAT (FUSED) GLASS TILE ON INTERIOR FLOORS

327GTF-2009/2010

## SUITABLE SUBSTRATES

- For use on stable substrates such as cured concrete, double layer of plywood, 12.5 mm CBU suitably installed on plywood subfloor, mortar bed suitably installed on plywood subfloor or other rigid subfloor systems.
- Dry interiors only, unless provided with a suitable waterproofed structure and sloped to drain.
- Provide a suitable rigid subfloor that is designed to support the maximum loading anticipated for the area to be tiled. Floor systems, including the framing system and subfloor panels, over which the tile will be installed shall be in conformance with the Canadian National Building Code 2005 and applicable local building codes taking into consideration anticipated live and dead loads.

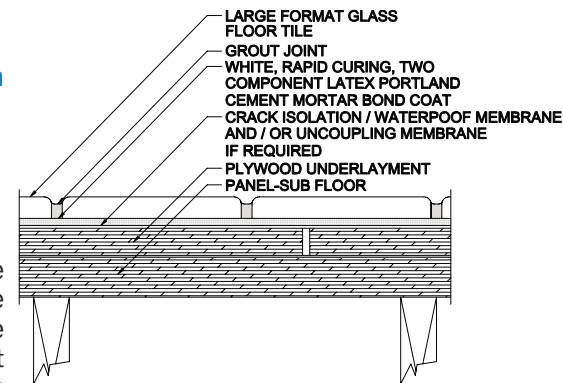


## MATERIALS

- CRACK ISOLATION/SOUND CONTROL MEMBRANE – ANSI A118.12  
**1000 or 2000SC Flexilastic Crack Isolation & Sound Reduction Membrane with Flextile 4000 (Interior) or 4001 (Exterior) Primer (ANSI 118.12)**
- UNCOUPLING MEMBRANE, following manufacturer's Recommendations.
- BOND COAT:  
**Flextile 58XT Fast Set two-component Latex Mortar System (ANSI A118.4/A118.11)**
- GROUT  
**Flextile Polymer Modified Non-Sanded Grout (ANSI A118.7)  
ColourMax Plus Urethane Grout**

## APPLICATION

- Apply crack isolation membrane (ANSI A108.17) or uncoupling membrane following manufacturer's recommendations to provide complete coverage of the substrate in the area on which the large format glass tile is to be installed. Since many large format glass tiles are somewhat translucent it is very important that complete coverage be achieved by back buttering each piece of tile with white thin-set mortar immediately prior to setting the tile to ensure that no voids or bubbles are visible against the back of the glass tile. Install tile in accordance with ANSI A 108.5 – use the minimum thickness of thin-set mortar that is recommended by the thin-set manufacturer – the maximum mortar thickness between the tile and C.I.M. is to be no greater than 3mm after the tile has been beaten into place. An adequate thickness of thin-set mortar can generally be applied with a 5 mm V-notched trowel.



## LIMITATIONS

- This method is suitable only for large format glass floor tiles which are manufactured by fully fusing the colors / glazes / finishes with the glass body at temperatures above 550°C.
- Cutting of glass tile - any cuts, other than those that are hidden in inside corners, should be performed using a diamond blade designed for cutting glass on a wet saw – glass tile should be cut with the rotation of the saw blade into the glazed (back) side of the tile – on most saws this is face down.
- Do not use epoxy bond coat or grout unless recommended by manufacturer.

## OTHER CONSIDERATIONS

- Movement Joint (architect must specify type of joint and show location and details on drawings).
- Movement joints - mandatory according to Detail 301MJ- 2009/2010.
- Some uncoupling membranes can be applied directly over sub-floor eliminating the need for plywood underlayment.



The above installation detail is used with the permission of the Terrazzo Tile & Marble Association of Canada. The installation products shown are Flextile's product recommendations for this specific detail, and are not intended to replace TTMAC's original generic specification.