

TILE INSTALLED ON CEMENTITIOUS BACKER UNIT (CBU) – THIN-SET METHOD/WALLS

305W-2009/2010

DETAIL A - INTERIOR WET/DRY AREAS AND EXTERIOR USE

SUITABLE SUBSTRATES

- Wood studs for interior use only or metal studs maximum 406 mm o.c.

MATERIALS

- VAPOUR RETARDER - 6 mils polyethylene film - Required in exterior and wet areas
 - CEMENTITIOUS BACKER UNIT (CBU) - minimum 13 mm thick meeting ANSI A118.9-1999 or nominal 11 mm thick fibre cement backer board meeting ASTM C-1288-1999.
 - TILE
 - TAPE - 51 mm fibre mesh
- Interior:** Usually non-vitreous glazed wall tile, but suitable for other types of ceramic tile and mosaic. Consult with manufacturer.
- Exterior:** Use frost resistant materials only.

- SLIGHT LEVELLING COAT, if required.

Flextile 57 Scratch Coat / 43 Mortar Additive

- WATERPROOF MEMBRANE, if required (use Latex Mortar Bond Coat only).

Flextile WP900 or WP980 Waterproof & Crack Isolation Membrane (ANSI A118.10/A118.12)

- BOND COAT

Interior:

Flextile 200, 210 or 90 Type 1 Ceramic Adhesive (ANSI A136.1)

Flextile 52, 56SR or 66 PM Thin-Set Mortar (ANSI A118.4)

Flextile 51 Thin-Set Mortar (ANSI A118.1)

Flextile 51/44 two-component Latex Portland Cement Mortar (ANSI A118.4/A118.11)

Flextile 58XT Fast Set two-component Latex Mortar System (ANSI A118.4/A118.11)

Exterior:

Flextile 51/44 two-component Latex Portland Cement Mortar (ANSI A118.4/A118.11)

Flextile 58XT Fast Set two-component Latex Mortar System (ANSI A118.4/A118.11)

- GROUT

Interior: Flextile Polymer Modified Grout (ANSI A118.7)

Flextile Flex-Epoxy 100 Epoxy Grout (ANSI A118.3)

ColourMax Plus Urethane Grout

Exterior: Flextile 600 Polymer Modified Sanded Grout (ANSI A118.7)

ColourMax Plus Urethane Grout

APPLICATION

- Cementitious backer unit (CBU) must be stable, plumb, square and screwed to studs with corrosion resistant fasteners. Surface variation in the backing not to exceed 6 mm in 3049 mm or 2 mm in 305 mm. Apply levelling coat if required. All joints must be taped with 51 mm fibre-mesh tape, fill with a dry-set or latex mortar and sand. Apply thin-set bond coat to cement board surface using proper notched trowel to ensure adequate bond. Slide tile firmly into position while bond coat is wet and tacky. Use sufficient bond coat to ensure minimum 95% contact on exterior surfaces and wet areas and a minimum 80% on interior dry surfaces. Force grout into full depth of joint, remove excess grout and clean.

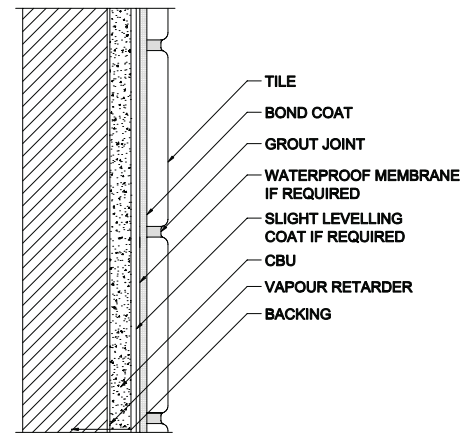
LIMITATIONS

- Manufacturer's recommendations must be followed. Exterior tile installations should not be attempted when temperature is less than 12°C. Do not use paperback or mesh-back mounted tile for exterior use or in locations of extreme moisture unless the manufacturer guarantees that the material is suitable for this type of installation.
- All requirements for exterior applications must be met.

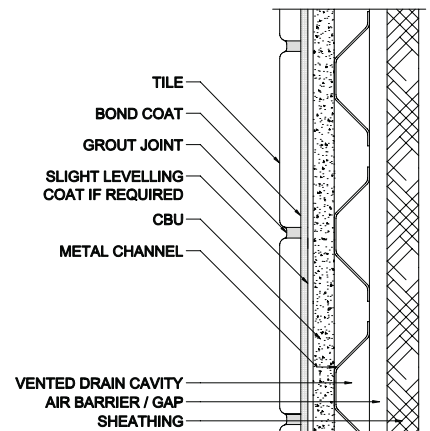
OTHER CONSIDERATIONS

- Spacing and minimum gauge of steel studs as per instructions of manufacturer of cementitious backer unit (CBU). On exterior installation, drill approximately 6 mm weep holes in grout joints at the bottom of the wall to prevent spalling of cementitious backer unit (CBU) due to freeze-thaw action or follow manufacturers recommendations.

A



EXTERIOR



The above installation detail is used with the permission of the Terrazzo Tile & Marble Association of Canada. The installation products shown are Flextile's product recommendations for this specific detail, and are not intended to replace TTMAC's original generic specification.

LIMITATIONS

- Waterproof membrane if required must be specified. (ANSI A118.10-1999) Follow manufacturer's recommendations
- Special care must be taken when installing tile thicker than 13 mm to prevent slippage or debonding.
- Tile used on exterior applications must be frost resistant.
- Refer to Notes For The Professional and 301MJ-2009/2010.
- For high use showers (hotels, gang showers, sports facilities, etc.) a waterproof membrane must be used. Refer to detail 319SR-2009/2010.
- Insulation and vapour retarder location to be specified by consultant.
- Refer to local codes and bylaws with respect to vented drain cavity for exterior applications.
- All openings and cuts must be treated to ensure waterproof integrity.
- Latex Portland cement mortars may require 14 – 60 days cure before exposure to water. Verify with the manufacturer the correct cure time required. Alternatively, to reduce the curing time required, a rapid set mortar may be more suitable.
- Sheathing and backing to be designed and detailed by the consultant.

TILE INSTALLED ON COATED GLASS MAT BACKER BOARD 305W-2009/2010 DETAIL B - INTERIOR WET/DRY AREAS

SUITABLE SUBSTRATES

- Wood or metal studs, maximum 406 mm o.c.

MATERIALS

- Coated glass mat backer board - minimum 13 mm thick.
(ASTM C1178-96)

- TILE
- TAPE - 51 mm fibre mesh
- BOND COAT

Interior:

Flextile 200, 210 or 90 Type 1 Ceramic Adhesive (ANSI A136.1)

Flextile 52, 56SR or 66 PM Thin-Set Mortar (ANSI A118.4)

Flextile 51 Thin-Set Mortar (ANSI A118.1)

Flextile 51/44 two-component Latex Portland Cement Mortar (ANSI A118.4/A118.11)

Flextile 58XT Fast Set two-component Latex Mortar System (ANSI A118.4/A118.11)

Exterior:

Flextile 51/44 two-component Latex Portland Cement Mortar (ANSI A118.4/A118.11)

Flextile 58XT Fast Set two-component Latex Mortar System (ANSI A118.4/A118.11)

- GROUT

Interior: Flextile Polymer Modified Grout (ANSI A118.7)

Flextile Flex-Epoxy 100 Epoxy Grout (ANSI A118.3)

ColourMax Plus Urethane Grout

Exterior: Flextile 600 Polymer Modified Sanded Grout (ANSI A118.7)

ColourMax Plus Urethane Grout

APPLICATION

- Attach coated glass mat backer board to studs with corrosion resistant fasteners and shall be spaced 152 mm o.c. with coated grey side away from the studs. Drive fasteners flush with coated surface. Do not countersink. Surface variation in the backing not to exceed 6 mm in 3049 mm or 2 mm in 305 mm and can be applied either parallel or perpendicular to framing. Apply levelling coat if required. All joints must be taped with 51 mm fibre-mesh tape, fill with a dry-set or latex mortar. Do not sand coated glass mat backer board unless a waterproof membrane is used after sanding. Apply thinset bond coat to coated glass mat backer board using proper notched trowel to ensure adequate bond. Use sufficient bond coat to ensure 95% contact in wet areas and 80% contact on interior dry surfaces. Slide tile firmly into position while bond coat is wet and tacky. Force grout into full depth of tile joint. Remove excess grout and clean.

LIMITATIONS

- Follow manufacturer's recommendations. Coated glass mat backer board not to be used where prolonged exposure to heat exceeds 52°C and not to be used for exterior use unless recommended by the manufacturer. It is not recommended for use with passive solar heat systems. Maximum tile size is 356 mm x 356 mm x 10 mm thick. Do not apply directly over concrete or masonry block.
- Do not use paper back or mesh back mounted tile in wet areas unless the manufacturer guarantees that the material is suitable for this type of installation.

OTHER CONSIDERATIONS

- Movement joints, spacing and minimum gauge of steel studs as per manufacturer's instructions of coated glass mat backer board.
- All openings and cuts must be treated to ensure waterproof integrity.
- Refer to Notes For The Professional and 301MJ-2009/2010.
- A waterproof membrane or vapour retarder not to be used behind coated glass mat backer board.
- For high use showers (hotels, gang showers, sports facilities, etc.) a waterproof membrane shall be used on the side to receive tile. Refer to Detail 319SR-2009/2010.
- Do not apply coated glass mat backer board over a vapour barrier or waterproof membrane.
- Latex Portland cement mortars may require 14 – 60 days cure before exposure to water. Verify with the manufacturer the correct cure time required. Alternatively, to reduce the curing time required, a rapid set mortar may be more suitable.

B

