

(A) STEEL PAN

- Steel rod and reinforcing mesh approximately 13 mm above pan bottom. Application as per Detail 309F-2009/2010 but omit cleavage membrane or vapour retarder.

(B) STEEL STAIRS

- Metal lath fastened to metal stair on steel treads and risers by tie wires or spot welded by steel fabricator. Application as per Detail 308W-2009/2010 but omit cleavage membrane or vapour retarder.

(C) WOOD STAIRS - INTERIOR ONLY

- Nail galvanized metal lath to wood substrate over cleavage membrane (vapour retarder). Install mortar bed and tile according to Detail 308W-2009/2010 but increase thickness of mortar bed on horizontal surface to a minimum of 32 mm.

- Application of materials as per Detail 310F-2009/2010 (A) for treads and 302W-2009/2010 for risers

- Application of material as per Detail 303W-2009/2010 and 311F-2009/2010 but apply slight levelling coat to substrate if required and cure a minimum of 24 hours before application of tile.

LIMITATIONS

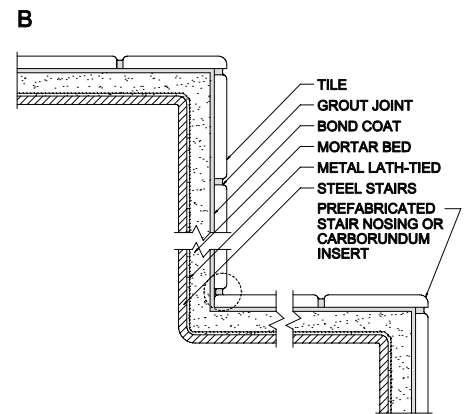
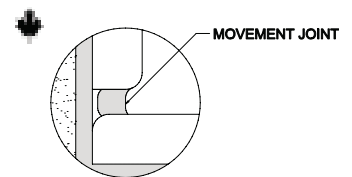
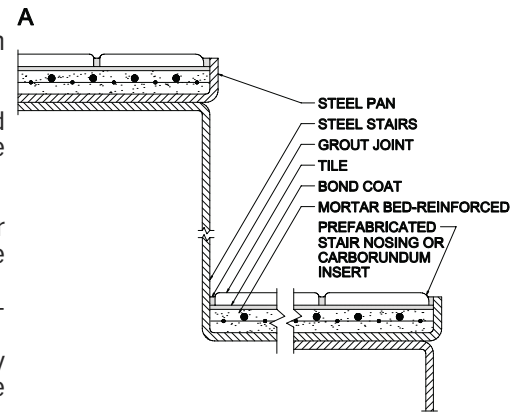
- Organic adhesives are not acceptable for these applications.

OTHER CONSIDERATIONS

- For easy maintenance, use cove base tile or cove movement profile at junction of riser and tread. Wood stairs not recommended for exterior applications. On exterior stairs, a slight slope on treads is preferred to provide drainage. Provide tactile surface prior to stairs where required for visually handicapped. Where required, use a 51 mm strip of contrasting colour at edge of first and last step.
- Precast terrazzo and natural stone tile may be used providing that slip resistant properties are acceptable.
- For detail B and C, mortar bed may be installed over fresh scratch coat.
- Prefabricated stair nosings or carborundum inserts should be used for increased safety precautions.
- Slip resistance for stair treads must be a minimum of 0.6 wet or dry.
- Tile used in exterior applications must be frost resistant.
- To minimize the potential for cracking use a sealant or prefabricated movement joint at the junction between the riser and tread.
- For exterior applications a waterproof membrane is recommended. Follow manufacturer's recommendations. (ANSI A118.10-1993)
- Stair risers to be not less than 125 mm and not more than 180 mm.
- Treads & risers must have uniform rise and run in any one flight.
- Treads must have run not less than 280 mm between successive steps.
- Stair nosing cannot be canter levered over the riser and edge. The leading edge of the stair tread shall have either a radius or a bevel between 8 mm and 13 mm in horizontal dimensions.
- Refer to Notes For The Professional and 301MJ- 2009/2010.
- For Detail A, B, D, and E use sufficient bond coat to ensure a minimum 95% contact on exterior surfaces and wet areas and minimum 80% on interior surfaces.
- For Detail C use sufficient bond coat to ensure minimum 80% contact.

MATERIALS

- SCRATCH COAT
[Flextile 57 Scratch Coat Mortar](#)
- MORTAR BED
[Flextile Dry Pack Mortar with Flextile 57 Slurry Bond Coat](#)
- MORTAR & SCRATCH COAT ADDITIVE (for exterior applications)
[Flextile 43 or 44 Mortar Additive](#)
- WATERPROOF MEMBRANE (for exterior applications)
[Flextile WP900 or WP980 Waterproof & Crack Isolation Membrane \(ANSI A118.10/A118.12\)](#)



The above installation detail is used with the permission of the Terrazzo Tile & Marble Association of Canada. The installation products shown are Flextile's product recommendations for this specific detail, and are not intended to replace TTMAC's original generic specification.

- BOND COAT

Interior:

Flextile 52, 56SR, 58, 61, 62 or 66 Polymer Modified Mortar (ANSI A118.4/A118.11)

Flextile 51 / 44 – two component Latex Mortar System (ANSI A118.4/A118.11)

Flextile 58XT Fast Set two-component Latex Mortar System (ANSI A118.4/A118.11)

Flextile Flex-Epoxy 100 – 100% Solids Epoxy Mortar (ANSI A118.3)

Exterior:

Flextile 51/44 – two component Latex Mortar System (ANSI A118.4/A118.11)

Flextile 58XT Fast Set two-component Latex Mortar System (ANSI A118.4/A118.11)

- GROUT

Interior: Flextile Polymer Modified Grout (ANSI A118.7)

Flextile Flex-Epoxy 100 – 100% Solids Epoxy Grout (ANSI A118.3)

ColourMax Plus Urethane Grout

Exterior: Flextile 600 Polymer Modified Sanded Grout (ANSI A118.7)

ColourMax Plus Urethane Grout

